



Silo Fluidizer

Mini Disk

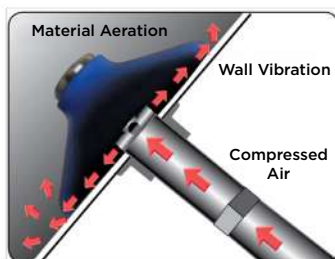


Solimar's Mini Fluidizing Disk

- all the features of our standard disk to prevent bridging, rat holing and compacting in tight curvature situations where standard disks will not fit.

Perfect for:

- Tight Curvature Chambers - 4" (100 mm) diameter;
- Chutes, Pipes, Small Hoppers;}
- Corner Hang-ups



Mini Fluidizing Disk Keeps Material Moving in Tight Curvatures

- Aeration loosens up the product allowing it to flow. Minimum back pressure puts air energy where it is needed the most - into the product chamber.
- Air is forced along the chamber wall, freeing up product and keeping it moving.
- Gentle Vibration keeps the product flowing, preventing compaction or plugging.
- Seals tightly against the chamber wall and prevents airline plugging.
- Will not tear, pick up moisture & is unaffected by temperatures up to 450°F/230°C.
- Available in food grade and FDA approved blue or white silicone rubber, or high temperature orange.

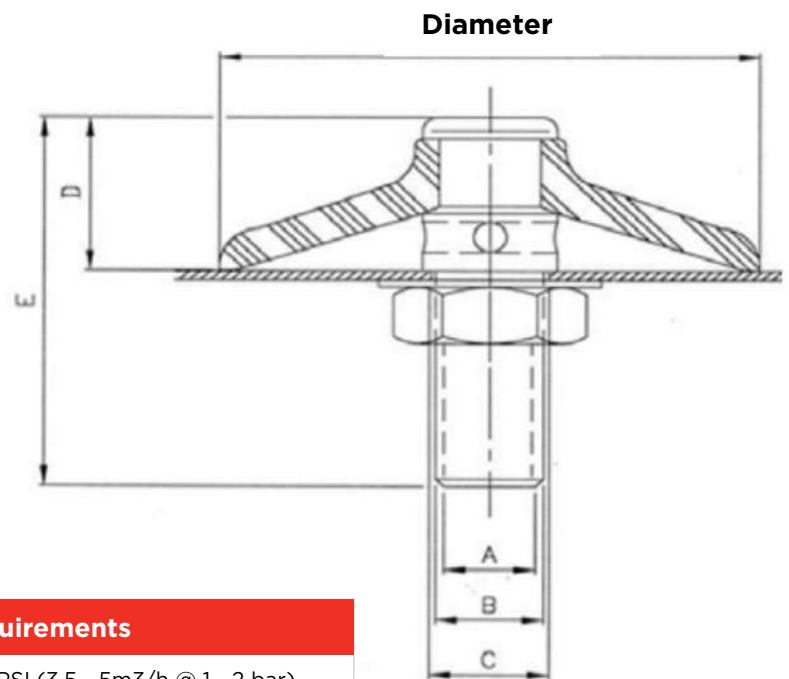
Directional Air Flow | No Airline Plugging | Robust Design | Material Compatible

Mini Silo Fluidizer Technical Data

| Model | Disk Diameter | A | B | C | D | E | Airline Options |
|---------------|---------------|----------|----------|--------------|-----------------|----------------|-------------------------------|
| Mini 48XX | 2" | 1/8" NPT | N/A | 1/2" (13 mm) | 9/16" (14 mm) | 1 1/2" (38 mm) | 3/8" (6 mm) Tubing |
| Standard 43XX | 4" | 1/4" NPT | 1/2" NPT | 7/8" (22 mm) | 1 3/16" (30 mm) | 3" (76 mm) | 3/8" - 1/4" (10-13 mm) Tubing |



Multiple disk options, including silicone rubber food grade/FDA approved (blue or white) and high temperature (orange).



| Model | Airflow Requirements |
|----------|---|
| Mini | Capacity 2 - 3 CFM @ 20 - 30 PSI (3.5 - 5m ³ /h @ 1 - 2 bar) |
| Standard | Capacity 10 - 20 CFM @ 20 - 30 PSI (15 - 30m ³ /h @ 1-2 bar) |



Insist on genuine Solimar disks with the trademarked Radial Ridge Design.



SOLIMAR PNEUMATICS

**Gardner
Denver**

TRANSPORT SOLUTIONS

IR Ingersoll Rand
Transport Solutions

<https://www.gardnerdenver.com/transport>